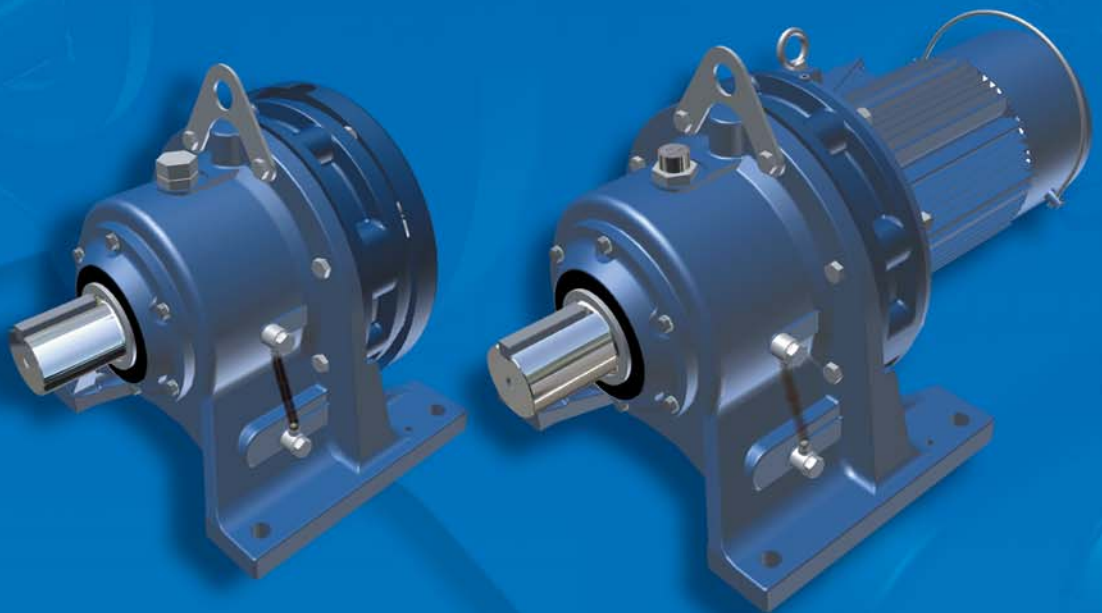


Sumitomo Drive Technologies
Always on the Move

Cyclo® 6000

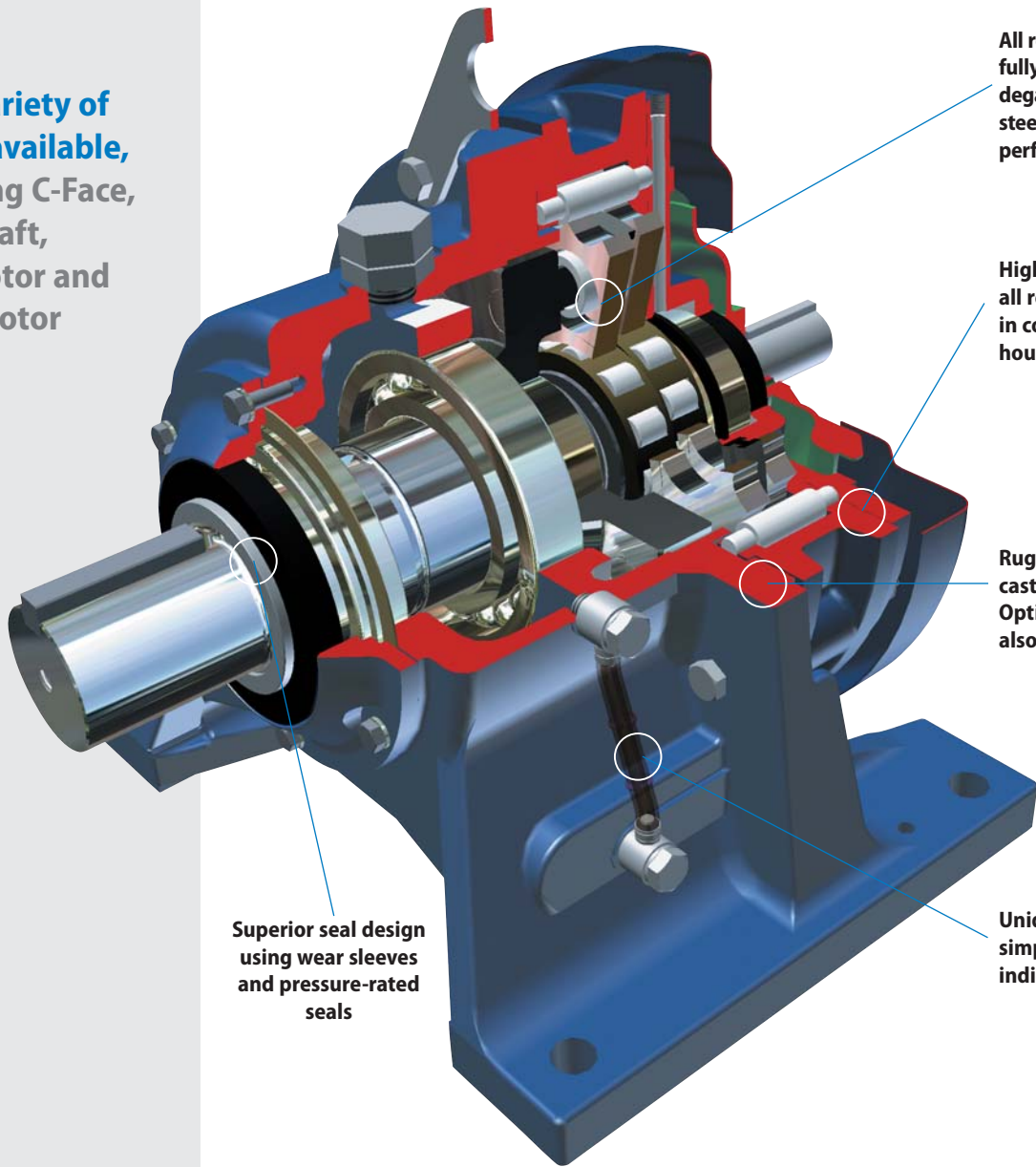


► Highly Reliable, Torque Dense Cycloidal Speed Reducers and Gearmotors

Cyclo® 6000

Highly Reliable, Torque Dense, Cycloidal Speed Reducers and Gearmotors

- ▶ **Wide variety of inputs available, including C-Face, Free-Shaft, Gearmotor and Brakemotor**



All rotating components are fully hardened, vacuum degassed bearing grade steel, for consistent, reliable performance

High power density, all reduction contained in compact ring gear housing

Rugged, shock-resistant cast iron housing. Optional ductile iron also available

Superior seal design using wear sleeves and pressure-rated seals

Unique oil sight gauge for simple, visible lubrication indication



Unmatched Reliability, Exceptional Performance

- ▶ Cyclo® speed reducers and gearmotors are **designed to withstand shock loads exceeding 500%** of their ratings



Product Description

Sumitomo Cyclo® speed reducers and gearmotors are the **premier in-line drives**. The revolutionary Cyclo® design provides **quiet, efficient and reliable performance** exceeding that of involute tooth gear designs. The key to Cyclo®'s matchless performance and reliability is that 67% of the reduction components are in contact at all times, compared to geared designs that use only limited tooth contact. Unlike geared designs, the Cyclo®'s reduction components operate in compression rather than shear, which results in **exceptionally rugged and shock resistant performance**. The Cyclo® technology coupled with innovative product options and accessories offer the most extensive range of application solutions available.

Features & Benefits

- **Cycloidal speed reduction technology**
 - ~ Quiet, efficient and reliable operation with high torque density and compact size
- **Modular design**
 - ~ Interchangeable cast iron housings in foot, flanged or face mount configurations
- **Universal mounting arrangements**
 - ~ Available free-shaft, quill hollow shaft, C-face, shovel base, and top-mount inputs
- **Internal components manufactured from hardened, vacuum-degassed, bearing grade steel**
 - ~ Minimal vibration, low noise, low backlash and extended operational life
- **The best product warranty**
 - ~ The 24 month warranty backs up the superb Cyclo® product reputation

Specifications

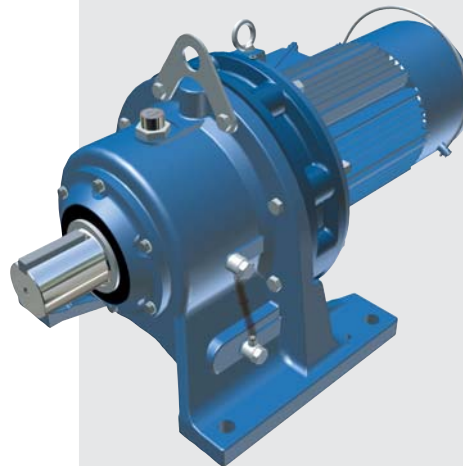
Sizes:	23 sizes (5lbs to 5000lbs)
Torque Rating:	55 to 603,000 lb in
HP Rating:	.10 to 235 HP
Ratio Range:	3:1 to 119:1 (single) 104:1 to 7569:1 (double) 8041:1 to 658,503:1 (triple)
Mounting:	Foot, Flange, Face Mount
Motor Standards:	NEMA, IEC, JIS, UL, CSA, CE

- **Sumitomo's Cyclo® is a highly reliable, torque dense, cycloidal speed reducer and gearmotor**



Reducer

- Simple, Compact Design
- Rugged Forged Output Shaft
- Universal Mounting
- C-Face, Shovel Base & Top Mount Options



Gearmotor

- Rugged forged output shaft
- Direct acting brake option
- Unmatched durability



► Applications

- Conveyors
- Food Machinery
- Mixers
- Automotive Plants
- Recycling Machines
- Poultry Plants
- Sawmills and Wood Mills
- Wastewater Treatment
- Steel Mills
- Construction Equipment
- Paper Mills
- Processing Plants

Cyclo® 6000

Highly Reliable, Torque Dense, Cycloidal Speed Reducers and Gearmotors

► **Product Range**
Standard Motor
and Reducer
Combinations



Single Reduction Ratios 3 – 119

Combinations with 1750 RPM input speed

Ratio	3	5	6	8	11	13	15	17	21	25	29	35	43	51	59	71	87	119	
Output Speed RPM (60 Hz)	583	350	292	219	159	135	117	103	83.3	70.0	60.3	50.0	40.7	34.3	29.7	24.6	20.1	14.7	
1/8																			
1/4																			
1/3																			
1/2																			
3/4																			
1																			
1.5																			
2																			
3																			
5																			
7.5																			
10																			
15																			
20																			
25																			
30																			
40																			
50																			
60																			
75																			
100																			

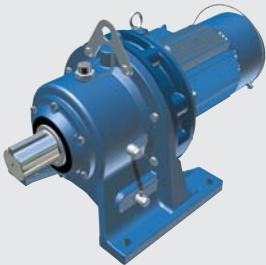
Ratios 11 – 87 Combinations with 1165 RPM input speed

Ratio	11	15	21	29	43	59	87
Output Speed RPM (60 Hz)	106	77.7	55.5	40.2	27.1	19.7	13.4
20							
25							
30							
40							
50							
60							
75							
100							
125							
150							
175							

Double Reduction Ratios 104 – 7569

Combinations with 1750 RPM input speed

Ratio	104	121	143	165	195	231	273	319	377	473	559	649	731	841	1003	1247	1479	1849	2065	2537	3045	3481	4437	5133	6177	7569		
Output Speed RPM (60 Hz)	16.8	14.5	12.2	10.6	8.97	7.58	6.41	5.49	4.64	3.70	3.13	2.70	2.39	2.08	1.74	1.40	1.18	.9946	0.847	0.690	0.575	0.503	0.394	0.341	0.283	0.231		
1/8																												
1/4																												
1/3																												
1/2																												
3/4																												
1																												
1.5																												
2																												
3																												
5																												
7.5																												
10																												
15																												
20																												
25																												
30																												
40																												
50																												
60																												
OUTPUT TORQUE lb•in	min. 212		212		212		212		212		400		212		400		212		1325		212		400		1325		4500	
max.	65,000		280,000		67,000		390,000		410,000						600,000													



Headquarters & Manufacturing

4200 Holland Boulevard
Chesapeake, VA 23323
Tel: 757-485-3355
Fax: 757-485-7490
E-mail: customer-care@suminet.com
www.smcyco.com

North & South America

USA: 757-485-3355
Canada: Toronto 905-469-1050
Mexico: Monterrey 011-52-81-8144-5130
Brazil: Sao Paulo 011-55-11-5585-3600
Chile: Santiago 011-562-892-7000
Argentina: Buenos Aires 011-54-11-4765-5332
For worldwide location details: www.sumitomodrive.com

World Headquarters - Japan

Sumitomo Heavy Industries, Ltd.
Power Transmission & Controls Group
ThinkPark Tower, 1-1, Osaki 2-chome,
Shinagawa-ku, Tokyo 141-6025 Japan
Tel: 011-813-6737-2511 • Fax: 011-813-6866-5160